

User's Manual

FAS-BG LED BOX

PACKAGE CONTENTS

- » Scanner unit
- » User's manual
- » A/C power adapter (12V, 4.16A, DC)
- » Amber filter board (included)
- » Black plastic board (included)
- » Gel tray w/o stopper (included)

SCANNER COMPONENTS

Front (Figure 1):

- » Up/Down, Left/Right menu button
- » USB 2.0 Port
- » Scan button
- » Cyan Light/White Light selection switch
- » Power On/Off Button
- » LCD display
- » Upper lid

Back (Figure 2):

- » DC power
- » USB 2.0 port
- » VGA port

Inside (Figure 3):

- » Upper lid
- » Lighting area
- » Lid Sensor

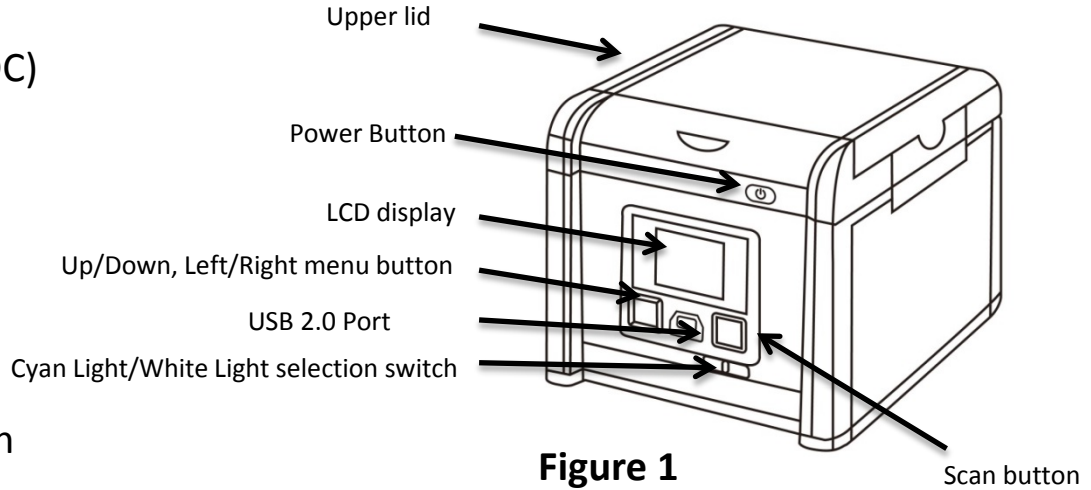


Figure 1

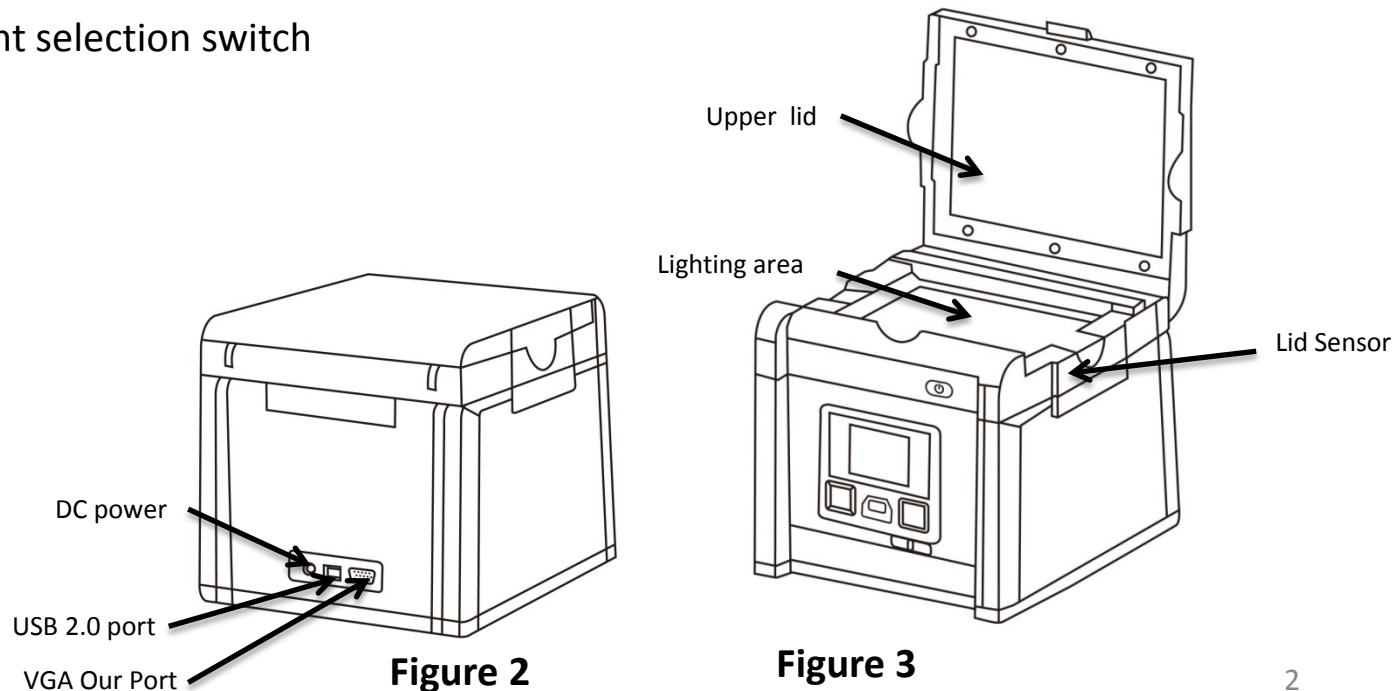


Figure 2

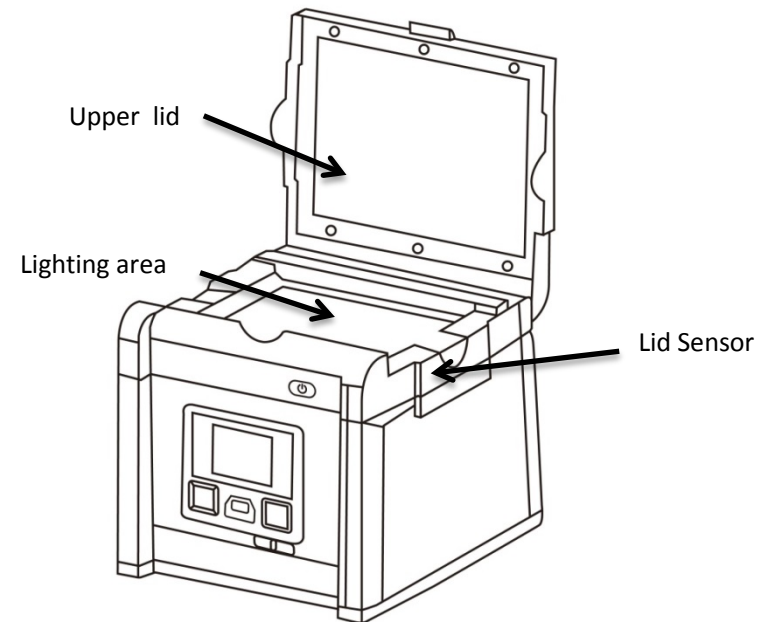


Figure 3

SETUP

1. Remove all tapes used to hold items in place for shipping.
2. Place FAS-BG LED BOX unit on flat surface.
3. Connect power source – connect AC power adapter to back of unit then plug into electrical outlet.
4. Push power button.
5. Insert USB flash drive.
6. The Menu Mode icon will be displayed on the top left side of the display (**Figure 4**).
7. Place gel tray directly on the surface of the Lighting area (**Figure 5**).
8. Adjust the image condition and scan.

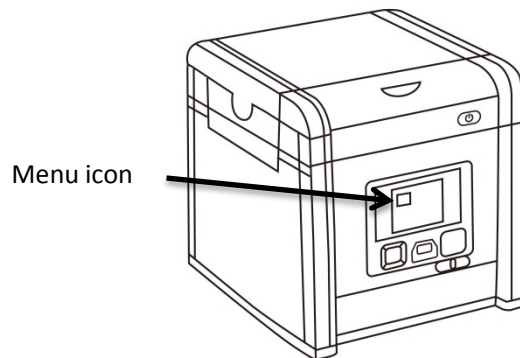


Figure 4

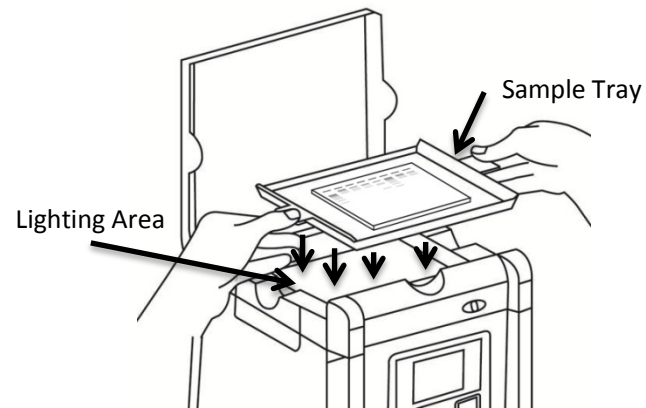


Figure 5

SCANNING FLUORESCENCE-STAINING GEL



1. In “Scanning Mode” , lift the lid to open the scanner.
2. Slide the black plastic board into the groove of the white backlight to block the white light on the lid* (**Figure 7**).
3. Close the scanner lid.
4. Slide the Light Selection Switch on the front side of the scanner to choose **cyan** light source for scanning stained gel.
5. Set and adjust the desired image quality through the Functional Menu if necessary (Please check “Functional Descriptions” section for the details of all functions).
6. Press SCAN button, green LED will flash and “CAPTURING” will be displayed on the screen. If thermal printer had connected with FAS-BG LED BOX, “Printing Yes/No” will be displayed on the screen. The scanned image will automatically save to USB flash drive.

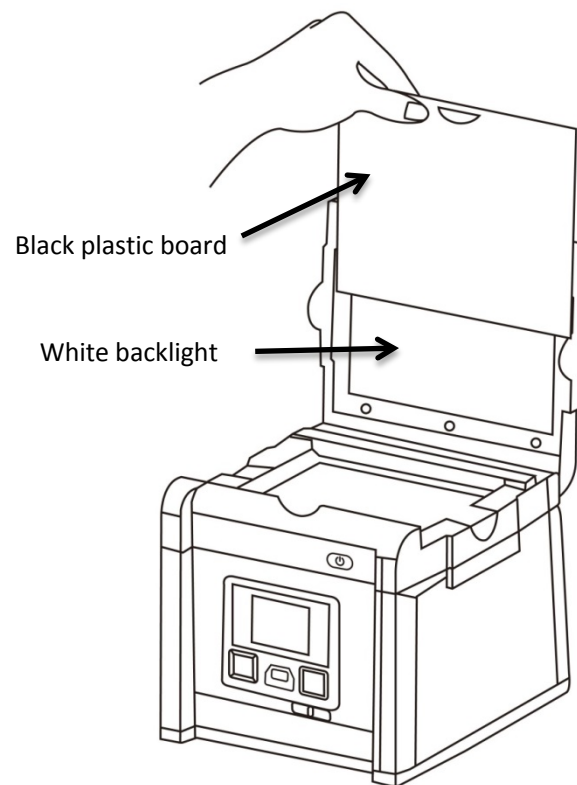


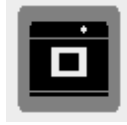
Figure 7


Slide the black plastic board to avoid the background light for fluorescent stained gel scanning.

Scanning of the gel sample is now complete.

(*: it is suggested to slide the black plastic board to block the white backlight on the lid for fluorescent stained gel scanning.)

SCANNING WESTERN BLOT/COLORIMETRIC STAINED GEL:






1. In “Scanning Mode”  , lift the lid to open scanner.
2. Place the sample to the center of the viewing area. Close the lid.
3. Slide the Light Selection Switch on the front side of the scanner to select the white light source for stained gel scanning.
4. Set “White Epi” or “White Back Light” item through Functional Menu (Please check “LED Lighting” of “Functional Descriptions” section for details of turn-on of “White Epi” or “White Back Light” application).
5. Adjust the desired image quality through the Functional Menu if necessary (Please check “Functional Descriptions” section for the details of all functions).
6. Press SCAN button, green LED will flash and “CAPTURING” will be displayed on the screen. If thermal printer had connected with FAS-BG LED BOX, “Printing Yes/No” will be displayed on the screen. The scanned image will automatically be saved to USB flash drive.

Scanning of the blot is now complete.


*: “White Back Light” mode is to scan the SDS-PAGE gel stained with coomassie blue and preserved in a transparent media.

BROWSE SCANNED IMAGES/DELETE SCANNED IMAGES

Examine Scanned Images

- a. When  icon displays on top left corner of the screen, press “OK” to get into functional options.
- b. When “Scan Mode” icon is highlighted , press “OK” again to get into “Play Mode”.
- c. The “Play Mode” icon  will display on top left corner of screen. The captured images can then be reviewed one by one by pressing right arrow button.
- d. **Press Upper/down arrow button, the image can be zoomed in/out and be removed upward/downward and leftward/rightward.**

Delete Scanned Images

- a. When viewing the image that needs to be deleted, press “OK” to get into Function Descriptions II.
- b. Press right arrow button to choose  **“Edit Mode”**
- c. Press up/down arrow button to choose “Delete”. Press right arrow button to select (yes/no) to delete the file.
- d. Press up/down arrow button to select “Yes”. Press “OK” to save the setting. The image is deleted⁶.

INSTALLATION OF AMBER FILTER BOARD

FAS-BG LED BOX is equipped with an amber filter board for cyan light protection and gel cutting purposes. Open the lid and install the filter board so the gel cutting task may be conducted.

1. Open the lid, cyan light will auto turn off
2. Lift the lid to its maximum open angle
3. Position the amber filter board with the hole for hanging on lid in front (**Figure 8**).
4. Place the amber filter board onto the filter board hanging tab so the filter board may hang as shown in (**Figure 9**).
5. When hanging on the lid, make sure the two small rods on the filter board are placed closely against the lid.
6. The installation is completed. One may turn on **cyan** LEDs by “Scan button” for further gel cutting purpose.

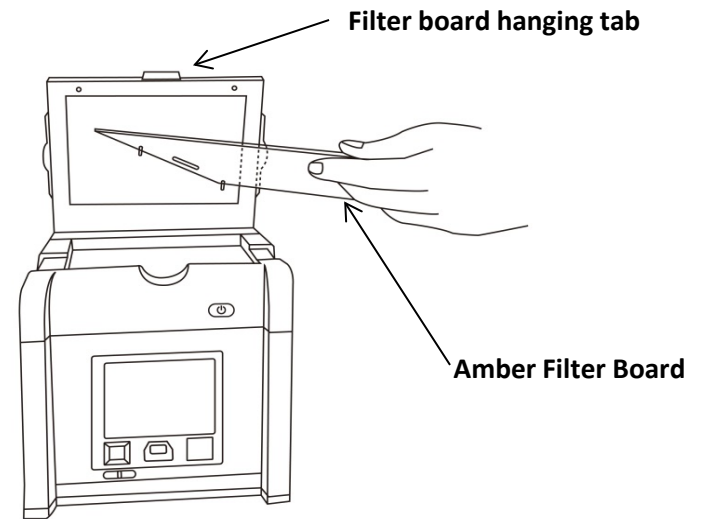


Figure 8

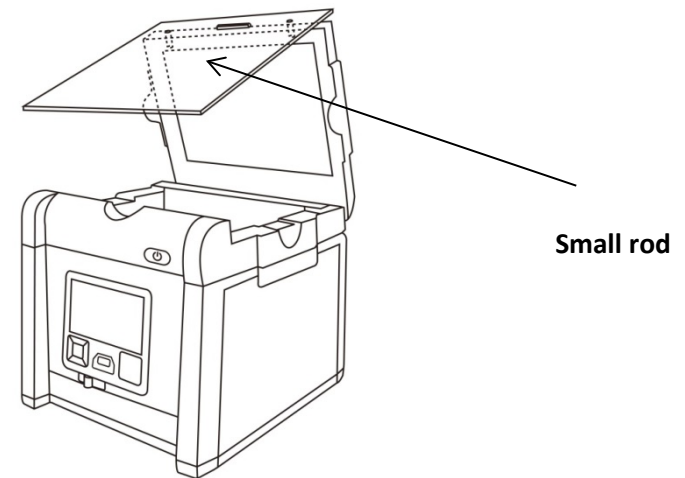


Figure 9

DISPLAY SCANS ON Monitor or Projector

The display from the scanner can be displayed on a television rather than the built-in scanner preview screen using the VGA port.

1. Set the television to VGA mode (see monitor documentation for details).
2. Connect the included VGA cable to the video port on the monitor.
3. Connect the other end of the cable to the VGA port on the back of the scanner.
4. Video output from the scanner can now be seen on the connected monitor including the full menu interface.

Functional Menu: When image display on screen in yellow border, press “OK” button so the functional icon will show on the left upper corner.

A. Function Descriptions I:



Scan Mode: The object is able to be scanned in this mode.



LED Lighting Mode: To select the white light application for **White Epi/White Back Light** image scan, respectively (Note: this mode is available only when white light application is selected.)



Exposure Mode: To adjust the exposure time frame in this mode.



BW/Color Switch Mode: To scan/display the image in **B&W/B&W invert** mode.
Default setting: monochrome (black & white)



Set Up Mode: To set up the following parameters:

- a. LCD: Dark, Normal, Bright
- b. Display: LCD, VGA
- c. Video Output: 800x600, 1024x768
- d. Filename: Setup/Filename**
- e. Save Format: TIF, JPG, BMP, (“JPG” is default setting)
- f. Quick View: 1 sec, 2sec, 3 sec, off (“2sec” is default setting)
- g. Slide Show Cycle: 2 sec, 3sec, 5 sec, 10 sec (“2sec” is default setting)
- h. Power Save: 1 min, 3 min, 5 min, 10 min, off (“1 min” is default setting)
- i. Language: English, Japanese
- j. Date: setup date yyyy/mm/dd
- k. Time: setup time hh/mm/ss
- l. Reset: Yes, No. (Reset all current settings back to factory default)
- m. About: product name, S/W version, F/W version, Update FW, CWD Version**

Functional Menu:

B. Function Descriptions II:



Play Mode: To play the captured images. To examine the captured image. **Press Upper/down arrow button, the image can be zoomed in/out and be moved upward/downward and leftward/rightward.**



Auto Play Mode: To automatically play the captured images one by one.



Edit Mode: To edit the captured images (rotate, delete, and flip)



Preview Mode: To preview the captured images in a multi image thumbnail panel (1 x 1, 2 x 2, 3 x 3).




Set Up Mode: Same as the “Set Up Mode” functions in Function Descriptions I.

Function Descriptions I:



“Scan Mode”



When  icon displays on top left corner of the screen, the object is ready to be scanned.

“LED Lighting Mode” *



a. When in “Scan Mode”, press “OK” to get into functional option list.

b. Press right arrow button to choose “LED Lighting Mode”  . ”

c. Press up or down arrow button to choose light source (**White Epi or White Back Light¹**).



d. Press “OK” to save the setting.

*: “LED Lighting Mode” Is only available when switching to white light application.

¹: “White Back Light” mode is to scan the SDS-PAGE gel stained with coomassie blue and preserved in a transparent media.



“Exposure Mode”



- When  icon displays on top left corner of the screen, press “OK” to get into functional option list.
- Press right arrow button to choose **“Exposure Mode”**  .
- Press up or down arrow button to choose the desired exposure level.
- When the desired exposure level is selected, press “OK” to get back to “Scan mode”.

“**BW/Color** Switch Mode”*





- When  icon displays on top left corner of the screen, press “OK” to get into functional option list.
- Press right arrow button to choose **“BW/Color Switch Mode”**  .
- Press up or down arrow button to choose to select the desired display mode (**B&W; B&W invert**).
- Press “OK” again to return to “Scan Mode”.

*: The default setting of the scanner is Black & White.

“Set Up Mode”



- a. When  icon displays on top left corner of the screen, press “OK” to get into functional option list.
- b. Press right arrow button to choose “Set Up Mode”  .
- c. Press down arrow button to get into “Setup Menu” and select the desired setting item.
- d. Press right arrow button to get into setting mode. Then press up and down arrow button to select the desired setting. Press “OK” to save the setting.
- e. Press down arrow button to select other setting mode; or press “OK” again to return to “Scan Mode”.

Setup Menu and related setting items:

- a. LCD: Dark, Normal, Bright
- b. Display: LCD, VGA
- c. Video Output: 800x600, 1024x768
- d. **Filename: Setup/Filename**
- e. Save Format: TIF, JPG, BMP, (“JPG” is default setting)
- f. Quick View: 1 sec, 2sec, 3 sec, off (“2sec” is default setting)
- g. Slide Show Cycle: 2 sec, 3sec, 5 sec, 10 sec (“2sec” is default setting)

Setup Menu and related setting items (cont'd):

- h. Power Save: 1 min, 3 min, 5 min, 10 min, off (“1 min” is default setting)
- i. Language: English, Japanese
- j. Date: setup date yyyy/mm/dd
- k. Time: setup time hh/mm/ss
- l. Reset: Yes, No. (Reset all current settings back to factory default)
- m. About: product name, S/W version, F/W version, Update FW, CWD Version

Function Descriptions II:




“Play Mode”



a. When  icon displays on top left corner of the screen, press “OK” to get into functional options.

b. When “Scan Mode” icon is highlighted , press “OK” again to get into **“Play Mode”**.



c. The “Play Mode” icon  will display on top left corner of screen. The captured images can then be reviewed one by one by pressing right arrow button.

d. **Press Upper/down arrow button, the image can be zoomed in/out and be removed upward/downward and leftward/rightward.**

e. Press “OK” twice to get back to “Scan Mode” (It will take few seconds to complete the process.)


“Auto Play Mode”



a. When in “Play Mode” , press “OK” to get into functional option list. 

b. Press right arrow button to choose “Auto Play Mode” , then press “OK”.

c. The captured image will automatically display on LCD screen one by one.

d.. Press “OK” to get into functional option list again. 

“Edit Mode”



a. When in “Play Mode”



, press “OK” to get into functional option list.



b. Press right arrow button to choose “Edit Mode”



.

c. Press down arrow button to get into “Edit Menu” (**Rotate/Delete**) and select the desired setting item.

d. Press right arrow button to get into setting mode:




Rotate: Right 90 ⁰	Delete: No
Left 90 ⁰	Yes
180 ⁰	
Flip: Horizontal	
Flip: Vertical	

e. Press up and down arrow button to select the desired setting. Press “OK” to save the setting.

f. Repeat step e. for “delete mode” setting or press “OK” again to return to “Play Mode”.

“Preview Mode”



- a. When in “Play Mode” , press “OK” to get into functional option list .
- b. Press right arrow button to choose “Preview Mode” .
- c. Press down arrow button to get into “Preview Menu” (1 X 1, 2 X 2, 3 X 3) and select the desired setting item.
 - Preview Mode: 1 X 1 Display 1 image at a time
 - 2 X 2 Display 4 images at a time
 - 3 X 3 Display 9 images at a time
- d. Press “OK” button to save the setting.
- e. The captured images will display on the screen based on the selected preview format setting.

“Set Up Mode”



Same as the “Set Up Mode” described in “Function Descriptions I” on page 11.

Hardware Specifications

I. Image Capturing Unit	
Sensor	CMOS Sensor
Resolution	9M Pixels
Exposure Time	0.2~ 10.1 sec (21 Scales)
Image Storage	USB flash drive
View Area	16 x 10.5cm (Fixed Lens)

II. Lens and Filter	
Filter Turret	Manual-Driven, 2 position
Emission Filter	518nm Amber Filter

III. Lighting	
Blue Light	510 nm cyan LED Light
Epi White Light	LED White Light
White Back Light	LED White Light Panel

VI. Interface	
Display Panel	Build-in 2.7" TFT LCD
Output	1. USB 2.0 port x2 (Thermal printer and USB flash drive) 2. VGA out (800x600, 1024x768)

V. General Info	
Power	AC Adaptor, 12V/4.16A
Dimension (WxHxD)	207x229x254mm (8.14 x 9.02 x 10 inch)
Gel Tools	Amber View Shield Gel Tray
Weight	3.2Kg (7.05 lb)
Certification	CE, FCC

User's Manual
FAS-BG LED BOX

Made in Taiwan

NIPPON Genetics Co.Ltd

Koraku Mori Bldg.18F, 4-14 Koraku 1-Chome,
Bunkyo-ku Tokyo 112-0004, Japan

Phone: +81 (0)3-3813-0961

fax: +81 (0)3-3813-0962

e-mail: info@genetics-n.co.jp

web: <http://www.genetics-n.co.jp>