

2 Well Conical Tube Rack

(#52202)

1. Description

2 Well Conical Tube Rack maximize space with the flexibility to hold two type tubes (15 / 50 ml) in one configurable rack and they are also suitable for simple handling such as weighing.

2. Features

- ❖ Hold 1 x 50 ml and 1 x 15 ml Conical Tubes
- ❖ Easy to grip by hand
- ❖ Slides smoothly across the bench top
- ❖ Assorted colors: Black, White, Lime and Green

3. Product Range

Cat. No.	Material	Color	Description	Packaging
52202	PP	4 Colors	2 Holes for 15 & 50 ml Tubes	20

4. Certification

SPL Life Sciences hereby certifies that the product identified above, inspected to be in compliance with product quality specification and requirements as documented in our ISO 9001:2015 Quality Management System (K-QA-Q031478) in Korea.

5. Product Photographs



SPL-TDS-2CTR

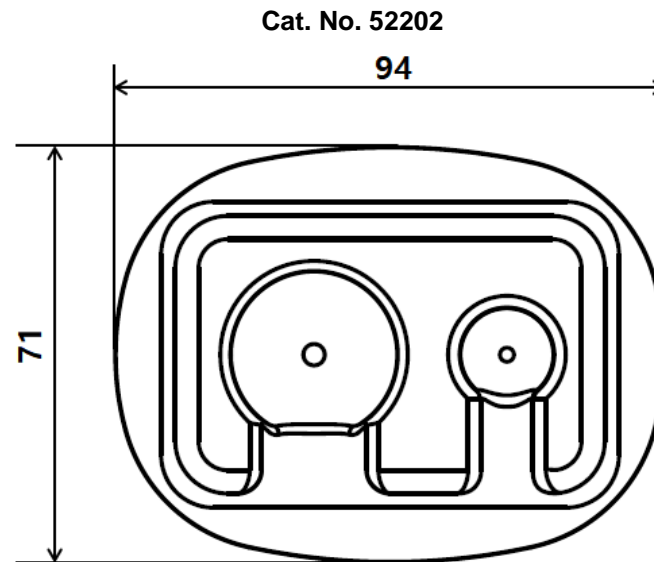
For Research Use Only. Not intended for use in diagnostic or therapeutic procedures.
 © SPL Life Sciences Co., Ltd., Version 1, September 13th, 2018

6. Specifications & Technical Drawing

- Specifications

Dimensions		Material (Resin)	Packaging
52202			52202
Length:	94 mm	Polypropylene (PP)	▪ Pieces/Case: 20
Width:	71 mm		
Height:	32 mm		

- Technical Drawing



www.spllifesciences.com

For technical assistance, contact SPL R&D Center at:

Tel: +82-31-533-4800; Fax: +82-31-533-1430; e-mail: spl@ispl.co.kr

To place an order, contact your local distributor or

Tel: +82-31-533-4800; Fax: +82-31-533-1430; e-mail: business@ispl.co.kr