

## Dropper

(#410501/410502/410503/410504/410505)

### 1. Description

SPL Droppers are designed for dividing samples.

### 2. Features

- ❖ Ideal for dispensing small amount of liquid sample.

### 3. Product Range

Cat.No.	Material	Total Length (mm)	Working Vol. (ml)	Total Vol. (ml)	Graduation	Sterile	Packaging
410501	PE	136.30	0.30	1.00	-	-	200 / 12000
410502	PE	138.17	1.00	3.00	-	-	500 / 9000
410503	PE	116.00	0.30	1.00	+	-	500 / 5000
410504	PE	150.00	1.00	5.00	+	-	500 / 5000
410505	PE	155.00	3.00	7.00	+	-	500 / 5000

### 4. Certification

SPL Life Sciences hereby certifies that the product identified above, inspected to be in compliance with product quality specification and requirements as documented in our ISO 9001:2015 Quality Management System (K-QA-Q031478) in Korea.

### 5. Product Photograph



SPL-TDS-DROP

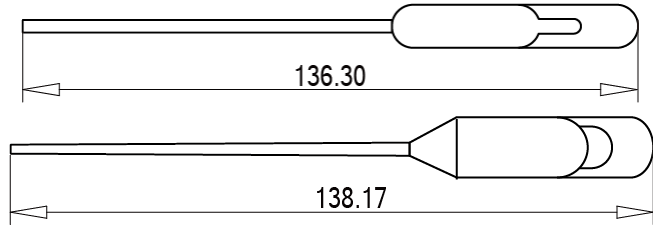
For Research Use Only. Not intended for use in diagnostic or therapeutic procedures.  
© SPL Life Sciences Co., Ltd., Version 2, July 21th, 2016

6. Specifications & Technical Drawing

- Specifications

Dimensions		Material (Resin)	Packaging
410501	410502		
Length: 136.30 mm Volume: 1 ml	Length: 138.17 mm Volume: 3 ml	Polyethylene (PE)	<ul style="list-style-type: none"> <li>•410501 Sleeve/Case: 200/12000</li> <li>•410502 Sleeve/Case: 500/9000</li> </ul>

- Technical Drawing

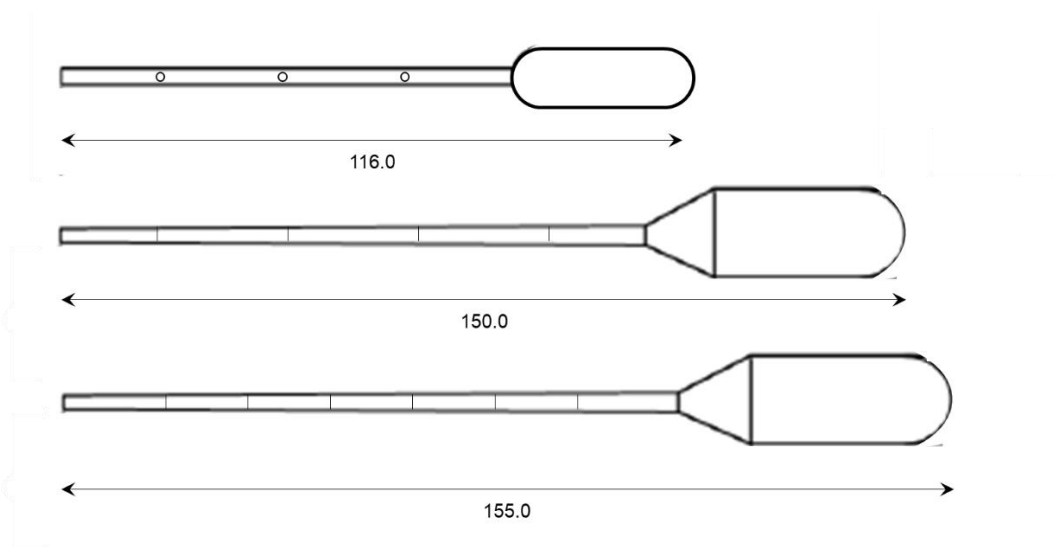


\* Graduation

- Specifications

Dimensions			Material (Resin)	Packaging
410503	410504	410505		
Length: 116.0 mm Volume: 1 ml	Length: 150.0 mm Volume: 5 ml	Length: 155.0mm Volume: 7 ml	Polyethylene (PE)	<ul style="list-style-type: none"> <li>•410503 Sleeve/Case: 500/5000</li> <li>•410504 Sleeve/Case: 500/5000</li> <li>•410505 Sleeve/Case: 500/5000</li> </ul>

- Technical Drawing



[www.spllifesciences.com](http://www.spllifesciences.com)

For technical assistance, contact SPL R&D Center at:  
 Tel: +82-31-533-4800; Fax: +82-31-533-1430; e-mail: [spl@ispl.co.kr](mailto:spl@ispl.co.kr)  
 To place an order, contact your local distributor or  
 Tel: +82-31-533-4800; Fax: +82-31-533-1430; e-mail: [business@ispl.co.kr](mailto:business@ispl.co.kr)

SPL-TDS-DROP

For Research Use Only. Not intended for use in diagnostic or therapeutic procedures.  
 © SPL Life Sciences Co., Ltd., Version 2, July 21th, 2016

