

SPLCoat™ Poly-D-Lysine – Cell Culture Dish

(#22035/22060/22100/22150)

1. Applications

PL Life Sciences provides a wide range (Ø 35 to Ø 150) of Poly-D-Lysine coated dishes with high quality. All Poly-D-Lysine coated dishes are produced with optically clear and high quality polymers for microscopy.

2. Features

- ❖ Poly-D-Lysine (Source: Synthetic)
- ❖ No washing required before use
- ❖ Shelf life: 6 months at room temperature

3. Product Range

Cat.No.	Dish Style (mm)	Internal Dimension (mm)	Growth Area (cm ²)	Working Volume (ml)	External Grip	Packaging
22035	35.00 x 10.00	35.00 x 9.60	9.40	3.00	+	10 / 20
22060	60.00 x 15.00	52.80 x 12.80	21.50	5.00	+	10 / 20
22100	90.00 x 20.00	86.26 x 17.70	57.50	12.50	-	10 / 10
22150	150.00 x 25.00	138.57 x 23.30	148.00	35.00	-	5 / 5

5. Certification

SPL Life Sciences hereby certifies that the product identified above, inspected to be in compliance with product quality specification and requirements as documented in our ISO 9001:2015 Quality Management System (K-QA-Q031478) in Korea.

6. Specifications & Technical Drawing

(1) Poly-D-Lysine Coated Ø 35 Dish (# 22035)

- Specifications

Dimensions		Material (Resin)	Packaging
Lid	Dish		
Diameter: 40.30 mm Height: 6.00 mm	Inner Diameter: 35.00 mm Inner Height: 9.60 mm Volume/Dish: 3.00 ml Growth Area: 9.40 cm ²	Crystal-grade polystyrene (PS)	<ul style="list-style-type: none"> • Pieces/Sleeve: 10 • Pieces/Case: 20

- Technical Drawing



(2) Poly-D-Lysine Coated Ø 60 Dish (# 22060)

- Specifications

Dimensions		Material (Resin)	Packaging
Lid	Dish		
Diameter: 58.00 mm Height: 8.50 mm	Inner Diameter: 52.80 mm Inner Height: 12.80 mm Volume/Dish: 5.00 ml Growth Area: 21.50 cm ²	Crystal-grade polystyrene (PS)	<ul style="list-style-type: none"> • Pieces/Sleeve: 10 • Pieces/Case: 20

- Technical Drawing

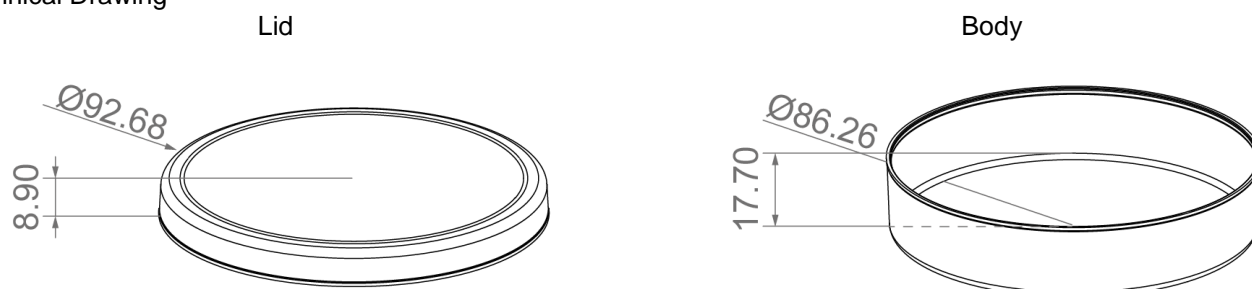


(3) Poly-D-Lysine Coated Ø 90 Dish (# 22100)

- Specifications

Dimensions		Material (Resin)	Packaging
Lid	Dish		
Diameter: 92.68 mm Height: 8.90 mm	Inner Diameter: 86.26 mm Inner Height: 17.70 mm Volume/Dish: 12.50 ml Growth Area: 57.50 cm ²	Crystal-grade polystyrene (PS)	<ul style="list-style-type: none"> • Pieces/Sleeve: 10 • Pieces/Case: 10

- Technical Drawing

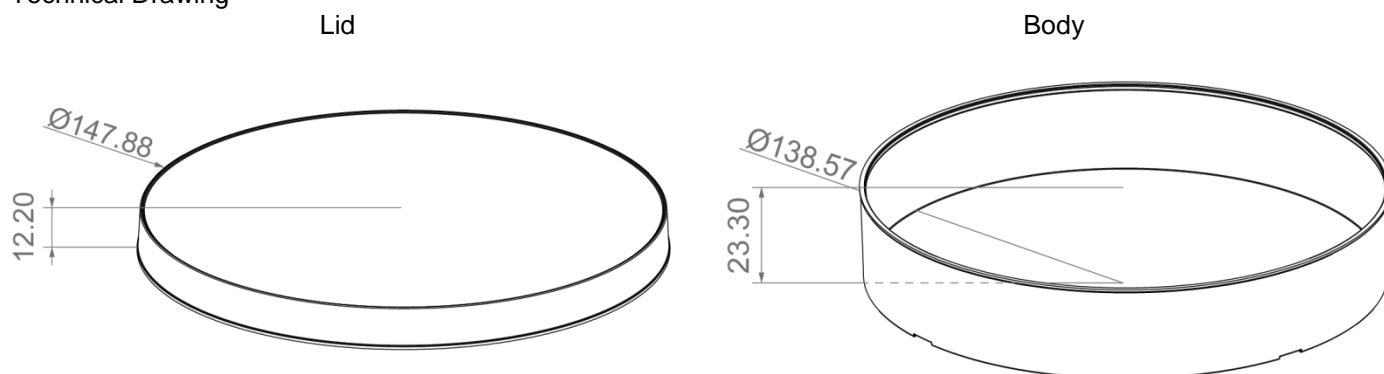


(4) Poly-D-Lysine Coated Ø 150 Dish (# 22150)

- Specifications

Dimensions		Material (Resin)	Packaging
Lid	Dish		
Diameter: 147.88 mm Height: 12.20 mm	Inner Diameter: 138.57 mm Inner Height: 23.30 mm Volume/Dish: 35.00 ml Growth Area: 148.00 cm ²	Crystal-grade polystyrene (PS)	<ul style="list-style-type: none"> • Pieces/Sleeve: 5 • Pieces/Case: 5

- Technical Drawing



www.spllifesciences.com

For technical assistance, contact SPL R&D Center at:

Tel: +82-31-533-4800; Fax: +82-31-533-1430; e-mail: spl@ispl.co.kr

To place an order, contact your local distributor or

Tel: +82-31-533-4800; Fax: +82-31-533-1430; e-mail: business@ispl.co.kr

SPL-TDS-CCD-PDL

For Research Use Only. Not intended for use in diagnostic or therapeutic procedures.
© SPL Life Sciences Co., Ltd., Version 7, November 20th, 2018