

ISSUE	DATE	AMENDMENT

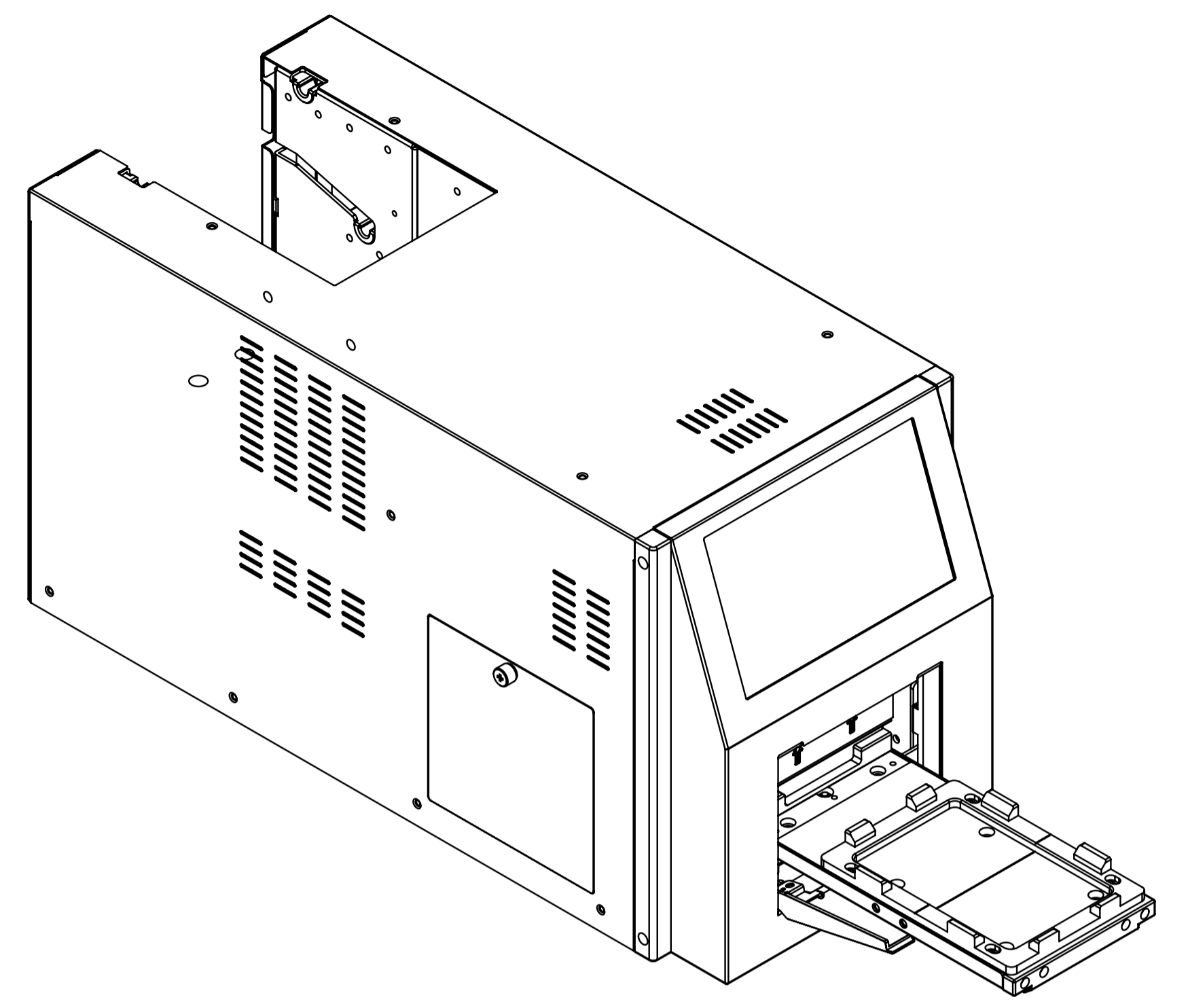
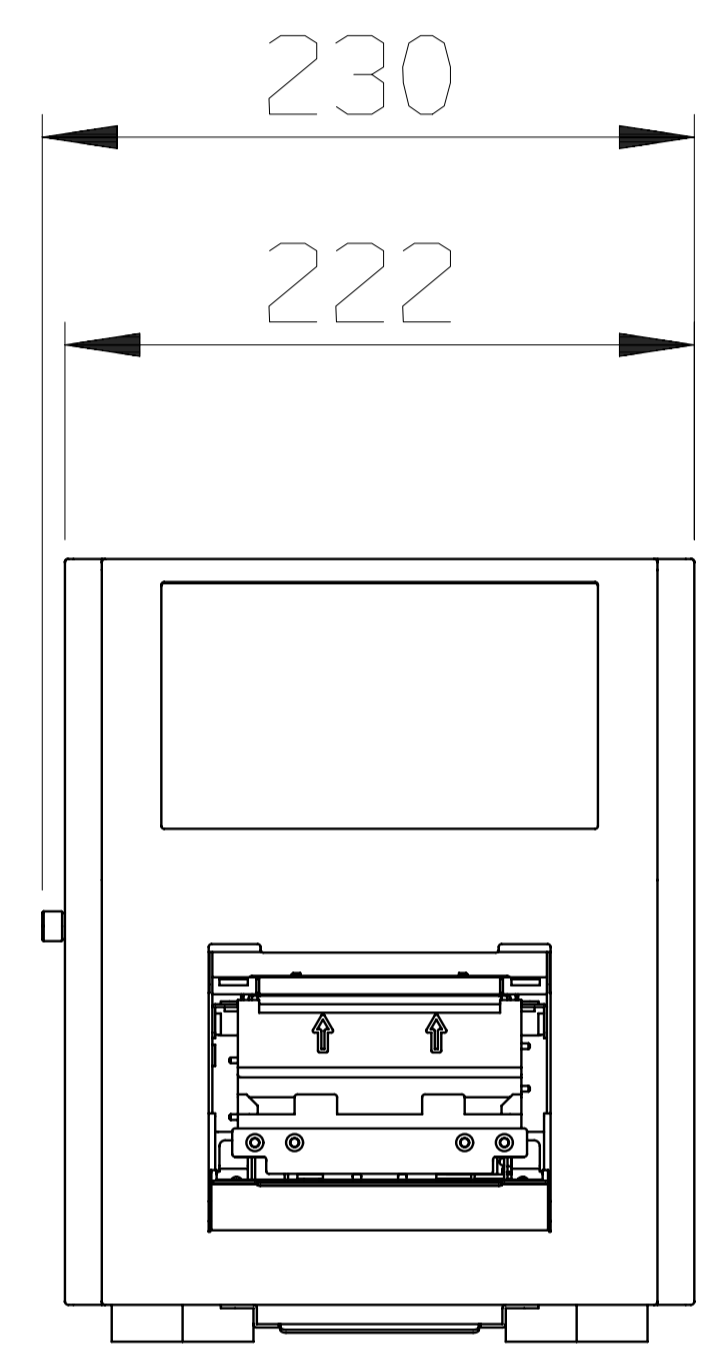
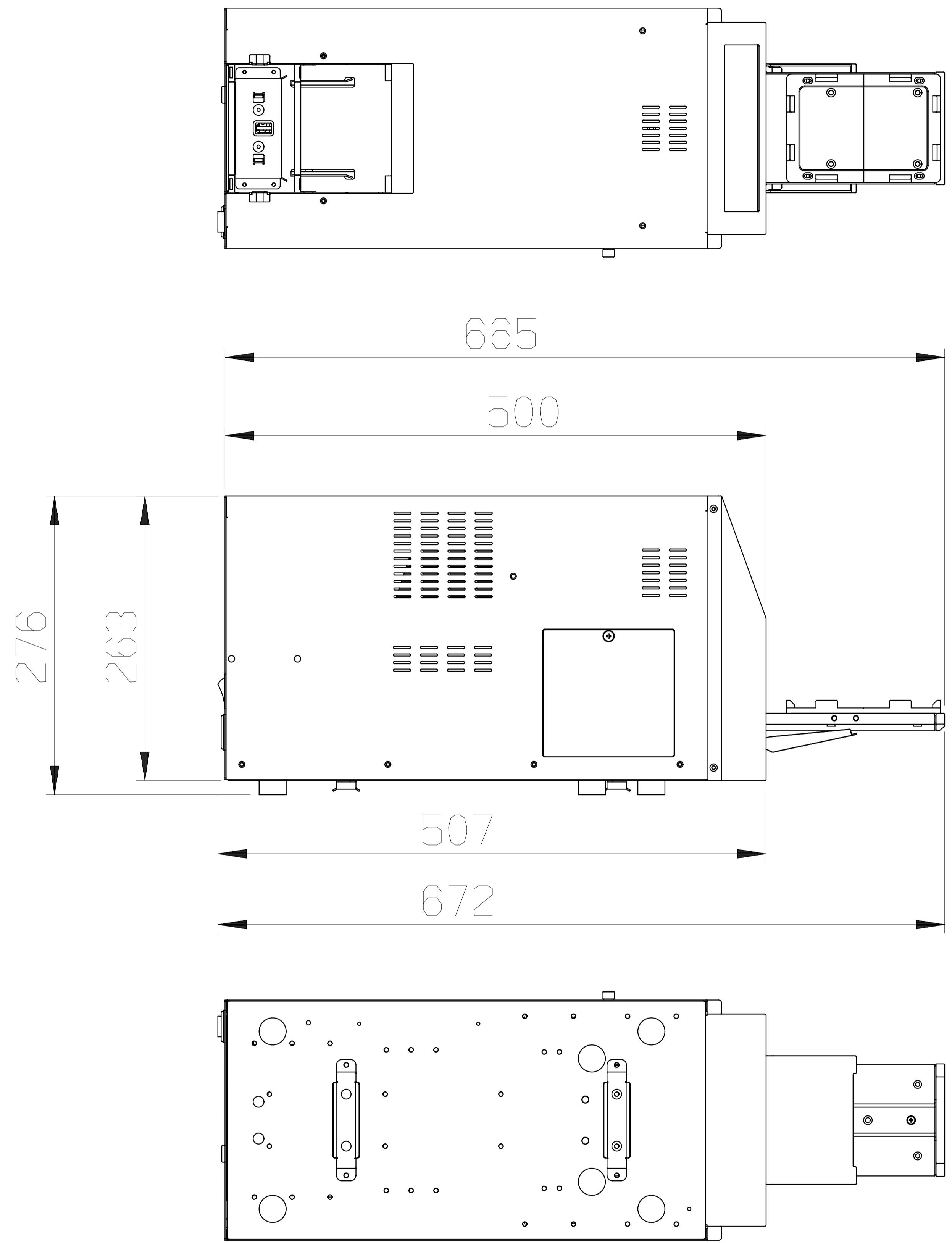
**4titude**  
www.4ti.co.uk

DO NOT SCALE  
IF IN DOUBT ASK

CUSTOMER	DRAWN
CUSTOMER DRG No.	ISSUE
MATERIAL	CHECKED
TOLERANCES	DATE 2015/07/01
GENERAL TOLERANCES (UNLESS OTHERWISE STATED)	SCALE

-1000 ±0.50  
 10-100 ±0.20  
 1-10 ±0.10  
 ANGULAR ±0°30'  
 (ALL DIMENSIONS IN MILLIMETRES)

TITLE	
α4S unit dimension (door close)	
DRAWING No.	ISSUE
SHEET No.	



ISSUE	DATE	AMENDMENT



www.4ti.co.uk

DO NOT SCALE  
IF IN DOUBT ASK

CUSTOMER	DRAWN
CUSTOMER DRG No.	ISSUE
MATERIAL	CHECKED
TOLERANCES	DATE 2015/07/01
GENERAL TOLERANCES (UNLESS OTHERWISE STATED)	SCALE

- 1000 ±0.50  
10-100 ±0.20  
1-10 ±0.10  
ANGULAR ±0°30'  
(ALL DIMENSIONS IN MILLIMETRES)

TITLE	ISSUE
alpha4S unit dimension (door open)	
DRAWING No.	
SHEET No.	